

# STOL CH 750

SUPER DUTY SPORT UTILITY MODEL

**New UnPanel**  
now available!

33' 5" 10.2 m.

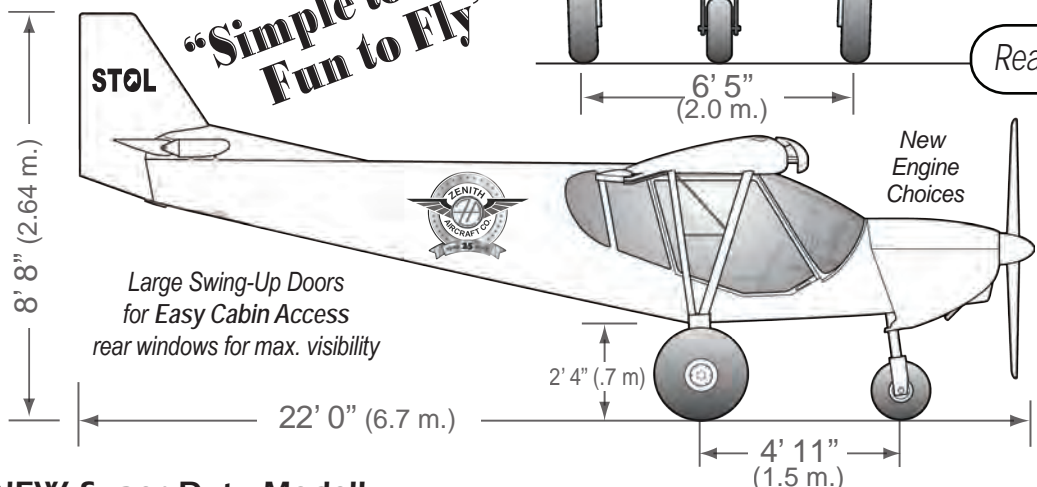
**Swing-Up Full Bubble Doors / Windows**

Increases Cabin Width to 50 inches!  
Superb downward visibility

7' 2" (2.2 m.)

**"Simple to Build,  
Fun to Fly"**

Rear Jump Seat / Large Cargo Area



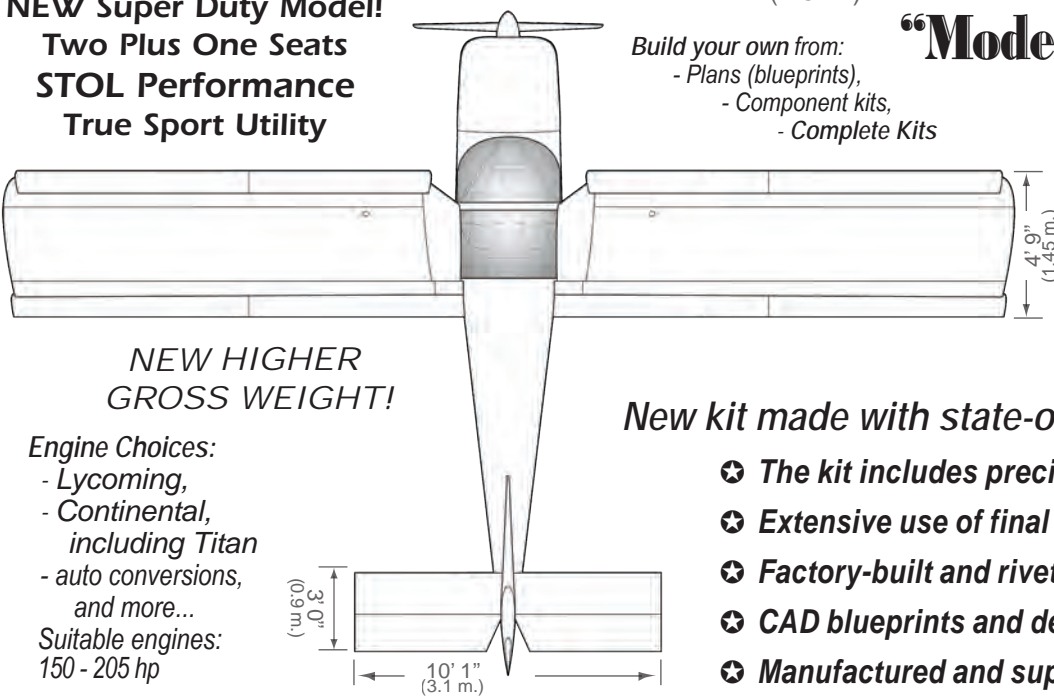
Based on the popular high wing STOL designs from Chris Heintz that have been popular for nearly thirty years, the new STOL CH 750 Super Duty design incorporates amazing short-field capabilities, while maximizing cabin size, adding a rear seat, and increasing load carrying capability.

**NEW Super Duty Model!**  
Two Plus One Seats  
STOL Performance  
True Sport Utility

Build your own from:  
- Plans (blueprints),  
- Component kits,  
- Complete Kits

**"Modern, Roomy, Robust"**  
- KITPLANES Magazine

- Amazing short take-off and landing (STOL) performance
- Surprisingly efficient cruise
- Huge cabin, side-by-side seating
- Large baggage area with rear jump seat
- Spectacular "wrap-around" visibility
- Great bushplane capabilities
- Simplicity of a tricycle gear.



**New kit made with state-of-the-art CNC equipment**

- ✦ The kit includes precision CNC cut and drilled parts.
- ✦ Extensive use of final size "match-hole" assemblies.
- ✦ Factory-built and riveted main wing spars.
- ✦ CAD blueprints and detailed photo assembly manuals.
- ✦ Manufactured and supported in the USA.

**NEW AVAILABLE KIT OPTIONS include new Unpanel from Avilution (or conventional instrument panels), floats (straight or amphibious), upholstery kits, choice of wheels, and more!**

ZENITH AIRCRAFT CO.  
1881 Airport Road, Mexico Airport,  
Mexico, Missouri 65265-0650 USA  
TEL: 573-581-9000 FAX: 573-581-0011

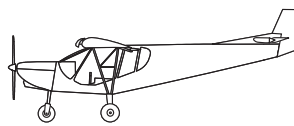
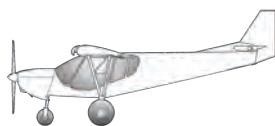
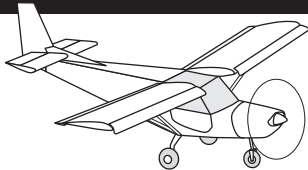


**BUILD IT. FLY IT!**

Visit us online for complete details  
**zenithair.com**

# STOL CH 750

# SPORT UTILITY KIT AIRPLANE



## SPECIFICATIONS

**NEW  
CH 750 SUPER DUTY**

*Sport Pilot ready*  
**STOL CH 750**

*The Faster*  
**CH 750 CRUZER**

LENGTH	22 Ft. 0 In.	21 Ft. 10 In.	23 Ft. 6 In.
HEIGHT (rudder tip)	9 Ft. 0 In.	8 Ft. 8 In.	9 Ft. 2 In.
WING SPAN	33 Ft. 5 In.	29 Ft. 9 In.	29 Ft. 9 In.
WING AREA	162 Sq. Ft.	144 Sq. Ft.	144 Sq. Ft.
WING CHORD	4 Ft. 9 In.	4 Ft. 10 In.	4 Ft. 11 In.
HORIZONTAL TAIL SPAN	10 Ft. 1 In.	8 Ft. 5 In.	7 Ft. 8 In.
EMPTY WEIGHT	1,100 Lbs.	775 Lbs.	780 Lbs.
GROSS WEIGHT	1,900 Lbs.	1,320 Lbs. LSA Limit	1,320 Lbs. LSA Limit
DESIGN GROSS WEIGHT	1,900 Lbs.	1,440 Lbs.	1,440 Lbs.
USEFUL LOAD	800 Lbs.	545 Lbs. / 665 Lbs.	540 Lbs. / 660 Lbs.
FUEL CAPACITY (Standard)	40 US Gal.	24 US Gal.	30 US Gal.
WING LOADING	11.7 Lbs./Ft. <sup>2</sup>	9.15 Lbs./Ft. <sup>2</sup>	9.3 Lbs./Ft. <sup>2</sup>
POWER LOADING (with typical engine)	9.25 Lbs./BHP	13.20 Lbs./BHP	10.15 Lbs./BHP
DESIGN LOAD FACTOR	+3.8 / -1.9 G Limit	+6 / -3 G Ultimate	+6 / -3 G Ultimate
CABIN WIDTH (Shoulders, <u>without</u> bubble doors)	42 Inches	42 Inches	42 Inches
NEVER EXCEED SPEED (VNE)	140 MPH	125 MPH	145 MPH
SUITABLE POWER / Max Engine Weight	150 - 205 hp	100 - 150 hp / 350 lbs.	100 - 150 hp / 350 lbs.

## PERFORMANCE *at Gross Weight*

	<b>CH 750 SUPER DUTY</b>	<b>STOL CH 750</b>	<b>CH 750 CRUZER</b>
<i>Engine (as tested):</i>	IO-375 - 205 hp	Jabiru 3300 - 105 hp @ 2950 rpm	UL350iS - 125 hp @ 2900 rpm
TAKE-OFF ROLL	115 Ft.	100 Ft.	350 Ft.
LANDING ROLL	150 Ft.	125 Ft.	350 Ft.
MAX. LEVEL SPEED	115 MPH	105 MPH	125 MPH
CRUISE SPEED (75%)	105 MPH	100 MPH	118 MPH
STALL SPEED (Flaps Down)	34 MPH	35 MPH	39 MPH
RATE OF CLIMB	1,350 fpm	1,000 fpm	1,200 fpm
SERVICE CEILING	15,000+ Ft.	14,000+ Ft.	14,000+ Ft.
RANGE (Standard, no reserve) - ENDURANCE	400 miles 3.8 Hours	440 miles 4.4 Hours	525 miles 4.5 Hours

## KIT PRICING *US Funds*

	<b>NEW CH 750 SUPER DUTY</b>	<i>Light Sport Utility</i> <b>STOL CH 750</b>	<i>The Faster</i> <b>CH 750 CRUZER</b>
<i>Airframe Kit</i>	\$ 19,990.	\$ 14,990.	\$ 16,490.
<i>Finishing Kit (firewall-back)</i>	\$ 5,990.	\$ 4,490.	\$ 4,990.
<i>Drawings and Manuals (included in kit)</i>	\$ 575.	\$ 495.	\$ 575.

Prices in US Funds. Prices and availability subject to change without notice.  
Prices are F.O.B. Factory. Crating and shipping charges are extra.

ZENITH AIRCRAFT CO.  
1881 Airport Road, Mexico Airport,  
Mexico, Missouri 65265-0650 USA  
TEL: 573-581-9000 FAX: 573-581-0011



Visit us online for complete details  
**zenithair.com**

super duty STOL CH 750-CRZ-7-2017-price-flyer-p2.ai 7/17

Specifications and performance figures based on prototype results,  
subject to change without notice.