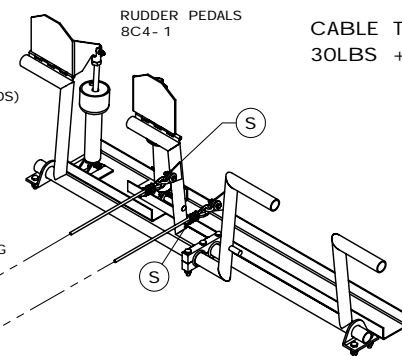
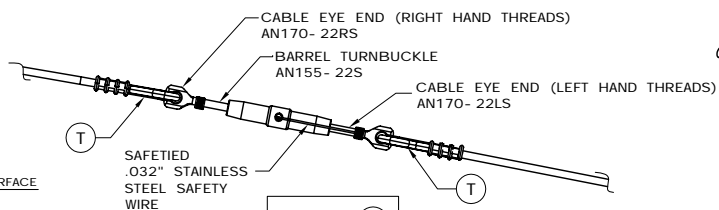
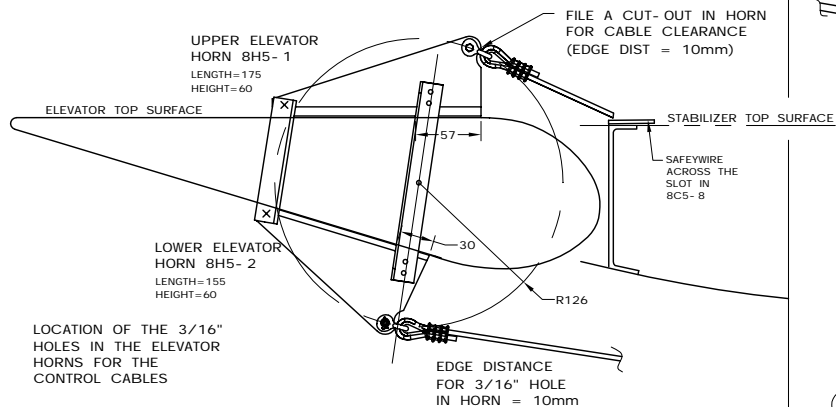
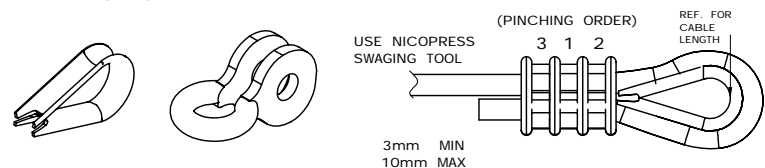
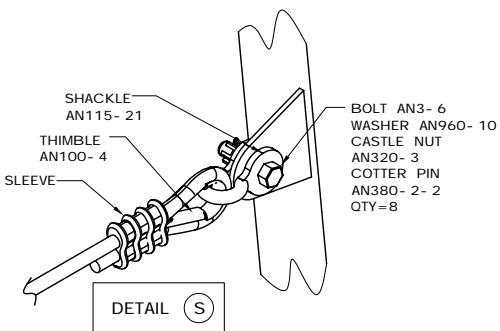
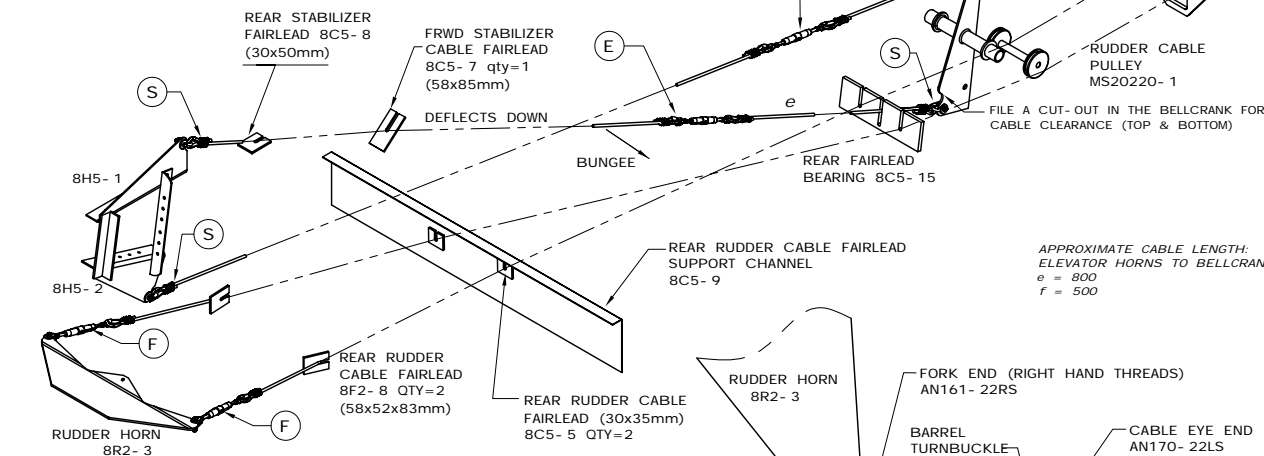


ELEVATOR NEUTRAL POSITION: THE TOP SURFACE OF THE ELEVATOR IS EVEN WITH THE TOP SURFACE OF THE STABILIZER (THE STABILIZER IS LEVEL WITH THE CABIN FRAME) TO MAINTAIN EVEN CABLE TENSION: INSTALL THE CABLES WITH THE ELEVATOR IN THE NEUTRAL POSITION, POSITION THE BELLCRANK 8C1-1 PARALLEL WITH THE LINE JOINING THE TOP AND BOTTOM CABLE ON THE ELEVATOR.



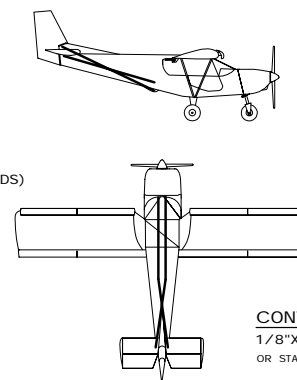
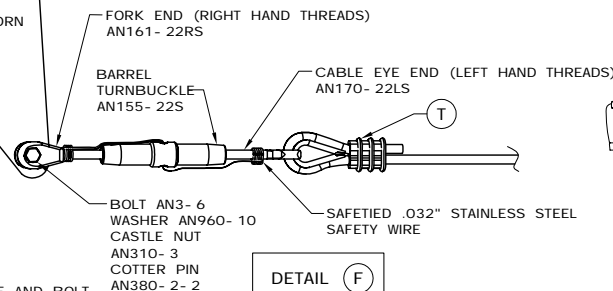
CABLE TENSION
30LBS +/- 5



1/8" CABLE THIMBLE (AN100-4)
F-15-204
QTY = 12

CABLE SHACKLES AN115-21
QTY=6

DETAIL S LESS THE SHACKLE AND BOLT
NICOPRESS: 18-3M (COPPER)
24-3M (ZINC PLATED COPPER)
PART NUMBER: S-11-004
QTY= 12



CONTROL CABLE
1/8"X7X19 GALVANIZED, 2000 LBS OR STAINLESS TO MIL C5424 1760 LBS)

STOL CH 801	ORIGINAL INFO NH 08/07/00 REVISION REF MJM 08/16/02	DESCRIPTION	ASSY NO.
		ELEVATOR / RUDDER CONTROL CABLES	8CN-1
		COPYRIGHT © 2002 ZENITH AIRCRAFT CO. WWW.ZENITHAIR.COM	