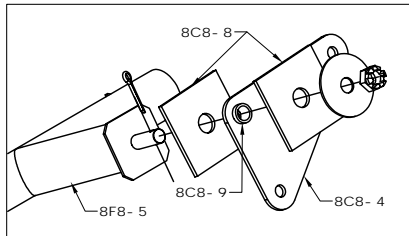
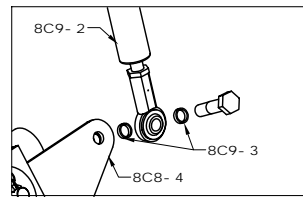


FLAPERON CONNECTION

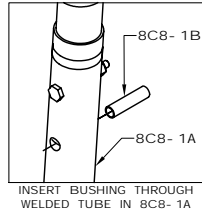
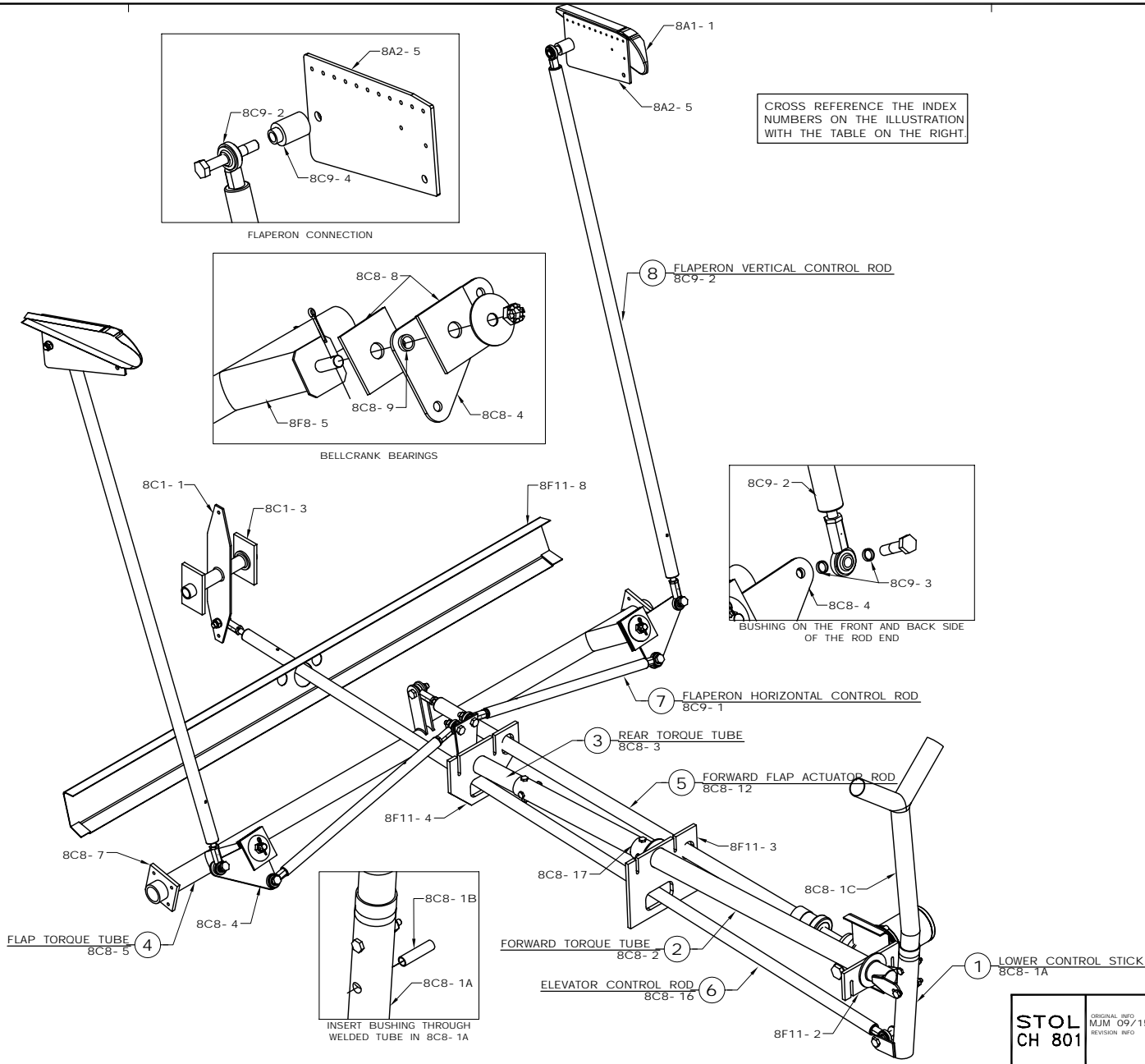


BELLCRANK BEARINGS

CROSS REFERENCE THE INDEX NUMBERS ON THE ILLUSTRATION WITH THE TABLE ON THE RIGHT.



BUSHING ON THE FRONT AND BACK SIDE OF THE ROD END



INSERT BUSHING THROUGH WELDED TUBE IN 8C8-1A

STOL CH 801	ORIGINAL INFO MJM 09/15/00	DESCRIPTION	ASSY NO.
	REVISION INFO	FLAPERON AND ELEVATOR CONTROL HARDWARE	8CN-2
		COPYRIGHT © 2000 ZENITH AIRCRAFT CO. WWW.ZENITHAIR.COM	

1	LOWER CONTROL STICK; 8C8-1A	QTY
AN3-15A	BOLT + WASHER (AN960-10) + SL NUT (AN365-1032) @ 8C8-1A TO 8C8-1C (LOWER STICK TO UPPER STICK)	1
AN4-20A	BOLT + 2 WASHERS (AN960-416) + SL NUT (AN365-428) @ 8C8-1B THROUGH PIVOT BUSHING	1
8C8-1B	5/16" OD BUSHING @ 8C8-1A AND 8C8-2	1
AN5-17A	BOLT + WASHER (AN960-516) + SL NUT (AN365-524) @ 8C81-A TO 8C8-16 (CONTROL STICK TO CONTROL ROD)	1
2	FORWARD TORQUE TUBE; 8C8-2	QTY
AN3-16A	BOLT + WASHER (AN960-10) + SL NUT (AN365-1032) @ 8C8-2 TO 8C8-17 (TORQUE TUBE TO TORQUE TUBE BEARING)	2
3	REAR TORQUE TUBE; 8C8-3	QTY
AN365-524	5/16" SL NUT (IF HOLE IN BOLT USE AN310-5 5/16" CASTLE NUT) @ 8C9-1 TO 8C8-3	2
AN960-516	WASHER @ 8C9-1 TO 8C8-3	2
AN3-15A	BOLT + WASHER (AN960-10) + SL NUT (AN365-1032) @ 8C8-2 TO 8C8-3	2
4	FLAP TORQUE TUBE; 8C8-5	QTY
AN310-6	3/8" CASTLE NUT @8C8-5 (3/8" BOLT WELDED TO TORQUE TUBE)	2
AN380-3-3	3/32" COTTER PIN @8C8-5 (3/8" BOLT WELDED TO TORQUE TUBE)	2
AN970-6	PENNY WASHER @8C8-5 (3/8" BOLT WELDED TO TORQUE TUBE)	2
8C8-9	1/2" BUSHING LENGTH=10mm @ 8C8-4 AND 8C8-8	2
5	FORWARD FLAP ACTUATOR ROD; 8C8-12	QTY
CW-5-12	5/16" ROD END @ 8C8-12 AFT END	1
AN316-5R	5/16" JAM NUT @ CW-5-12 BETWEEN 8C8-12 (ROD END)	1
AN5-12A	BOLT + WASHER (AN960-516) + SL NUT (AN365-524) @ 8C8-12 TO 8C8-5	1
6	ELEVATOR CONTROL ROD; 8C8-16	QTY
CW-5-12	5/16" ROD END @ 8C8-16 AFT END	1
AN316-5R	5/16" JAM NUT @ CW-5-12 BETWEEN 8C8-16 (ROD END)	1
AN5-10A	BOLT + WASHER (AN960-516) + SL NUT (AN365-524) @ 8C8-16 TO 8C1-1 (ELEVATOR CONTROL ROD TO HT BELLCRANK)	1
7	FLAPERON HORIZONTAL CONTROL ROD; 8C9-1	QTY
CW-5-12	5/16" ROD END @ 8C9-1 OUTBOARD END	2
AN316-5R	5/16" JAM NUT @ CW-5-12 TO 8C9-1 (ROD END)	2
AN5-10A	BOLT + WASHER (AN960-516) + SL NUT (AN365-524) @ 8C9-1 TO 8C8-4 (FLAPERON CONTROL ROD TO FLAPERON BELLCRANK)	2
8	FLAPERON VERTICAL CONTROL ROD; 8C9-2	QTY
CW-5-12	5/16" ROD END @ 8C9-2 TOP END	2
AN316-5R	5/16" JAM NUT @ CW-5-12 BETWEEN 8C9-2 (ROD END)	2
AN5-11A	BOLT + WASHER (AN960-516) + SL NUT (AN365-524) @ 8C9-2 TO 8C8-4 (FLAPERON CONTROL ROD TO FLAPERON BELLCRANK)	2
AN5-20A	BOLT + WASHER (AN960-516) + SL NUT (AN365-524) @ 8C9-2, 8C9-4 AND 8A2-5	2
8C9-3	3/8" OD BUSHING LENGTH 2.5mm @ ONE BUSHIN ON EACH SIDE OF ROD END TO 8C8-4	4
8C9-4	VERTICAL ROD UPPER SPACER @ BETWEEN ROD END AND 8A2-5	2