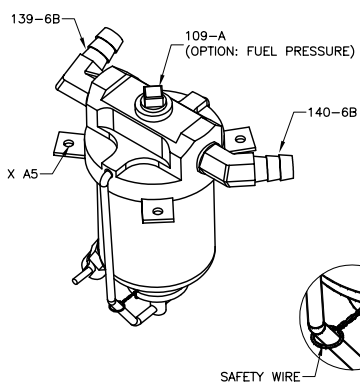


ALUMINUM GUSSET PLATE 1/8"-.025"  
TO HOLD GROMMET  
QTY = 2

T CONNECTION  
**F964-8 3/8" OD T**  
QTY. = 1

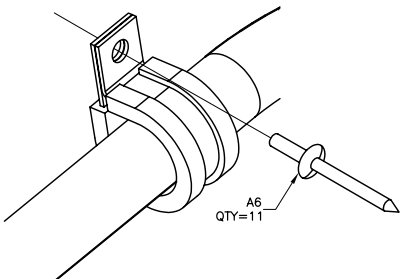
VALVE ASSEMBLY  
**F5120-B FUEL SHUT OFF VALVE**  
QTY. = 1



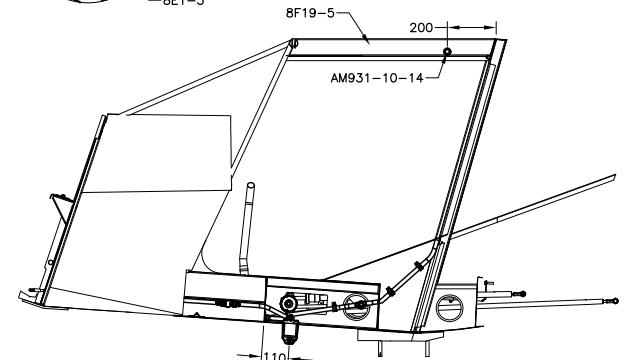
**A10580 FUEL GASCOLATOR ASSEMBLY W/ WELDED TABS**  
QTY.= 1



**F62606 7/8" HOSE CLAMP**  
QTY.= 19



**MS2191-DG12 ADEL PADDED CLAMP**  
QTY.= 11



GASCOLATOR LOCATION: CENTERED ON THE FLOOR BETWEEN RIVET LINES FOR 8F9-SA.  
CHECK: THE GASCOLATOR IS AT THE LOWEST POINT IN THE FUEL SYSTEM.

STOL CH 801	ORIGINAL INFO MJM 02/05/01	DESCRIPTION FUEL LINE ROUTING AROUND DOOR STANDARD WING TANKS	ASSY NO. <b>8FE-1.1</b>
	REVISION INFO	COPYRIGHT © 2000 ZENITH AIRCRAFT CO. WWW.ZENITHAIR.COM	