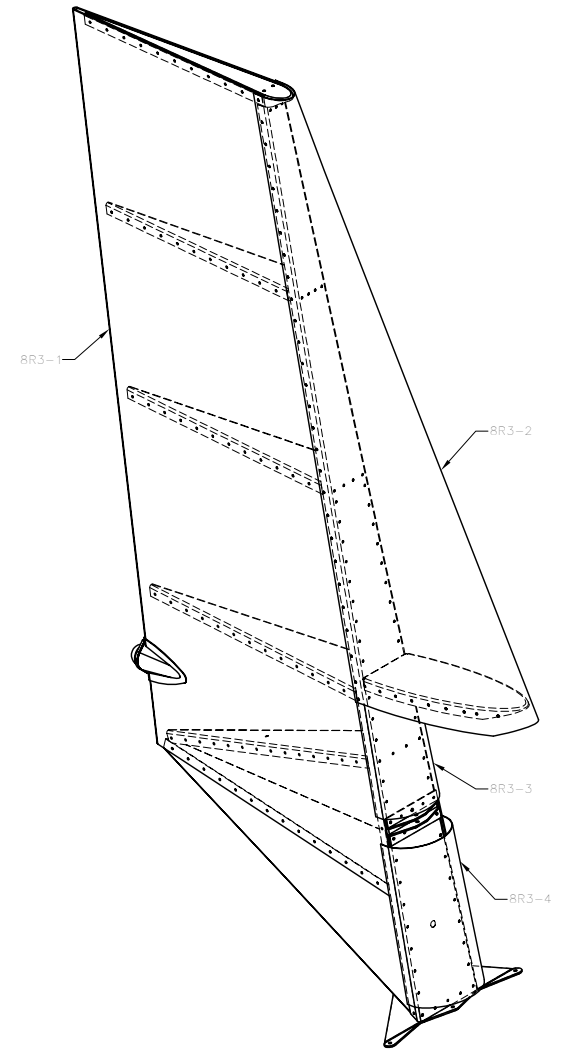


- 8R1-1 RUDDER BOTTOM RIB #1
- 8R1-2 RUDDER REAR RIB #2
- 8R1-3 RUDDER REAR RIB #3
- 8R1-4 RUDDER REAR RIB #4
- 8R1-5 RUDDER REAR RIB #5
- 8R1-6 RUDDER TIP
- 8R1-7 RUDDER NOSE RIB
- 8R2-1 RUDDER SPAR
- 8R2-2 SPAR DOUBLER
- 8R2-3 RUDDER HORN
- 8R2-4 UPPER HINGE ANGLES
- 8R2-5 RUDDER TIP ANGLE
- 8R3-1 RUDDER REAR SKIN
- 8R3-2 RUDDER NOSE SKIN
- 8R3-3 UPPER SPAR FAIRING
- 8R3-4 LOWER SPAR FAIRING



STOL CH 801	ORIGINAL INFO MJM 05/01/02 REVISION INFO	DESCRIPTION	ASSY. NO.
		RUDDER: EXPLODED VIEW PARTS 8R1-1 TO 8R3-4	8XR-1
		COPYRIGHT © 2002 ZENITH AIRCRAFT CO. WWW.ZENITHAIR.COM	