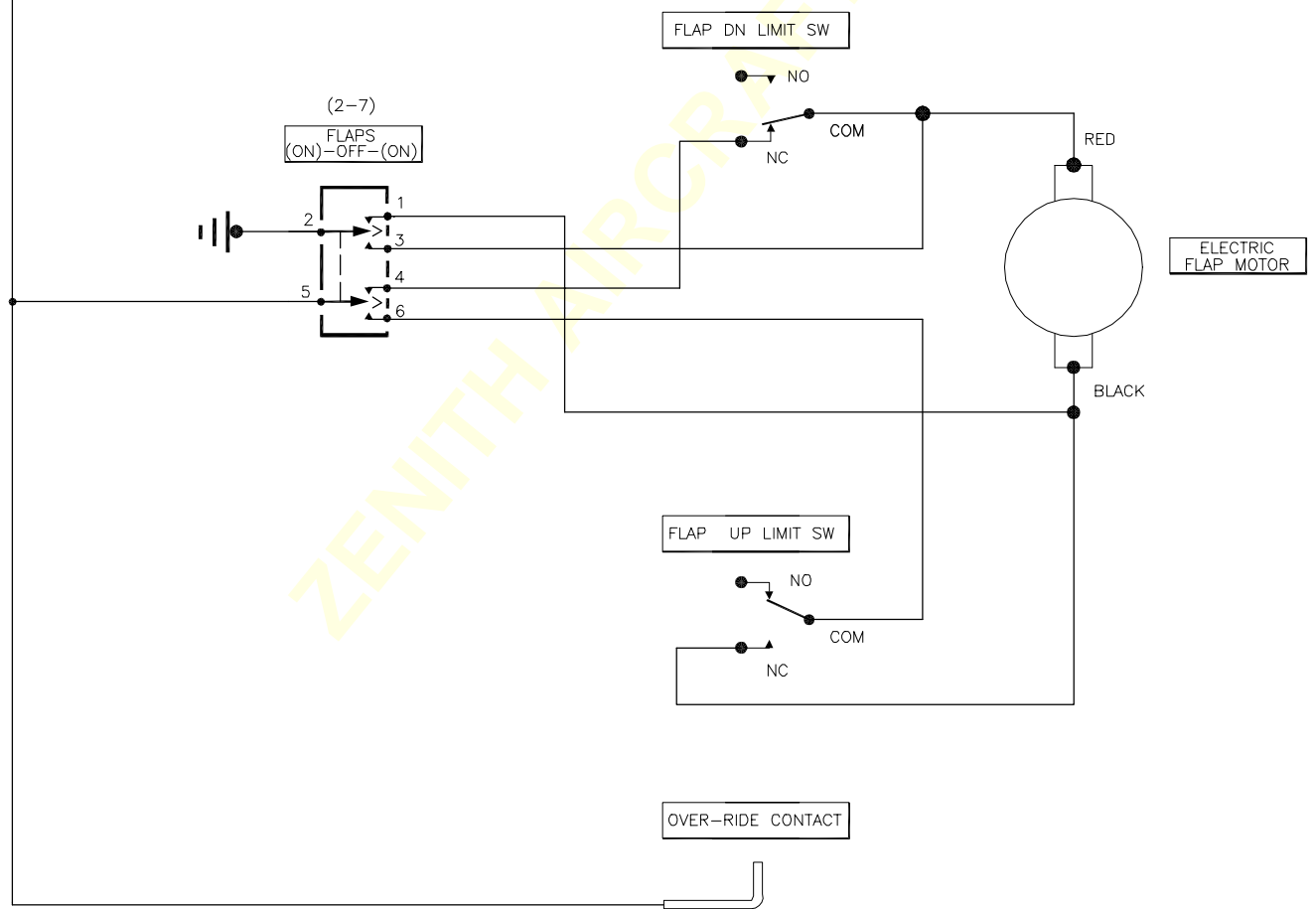


THE OVER-RIDE CONTACT POPS THE 5AMP FUZE SHUTTING OFF POWER TO THE FLAP MOTOR.

THE CIRCUIT IS SHOWN FOR THE FLAPS UP: THE WORM GEAR IS IN THE EXTENDED POSITION SHUTTING OFF THE UP LIMIT MICRO SW.



FLAP CIRCUIT

FIGURE 1-2.