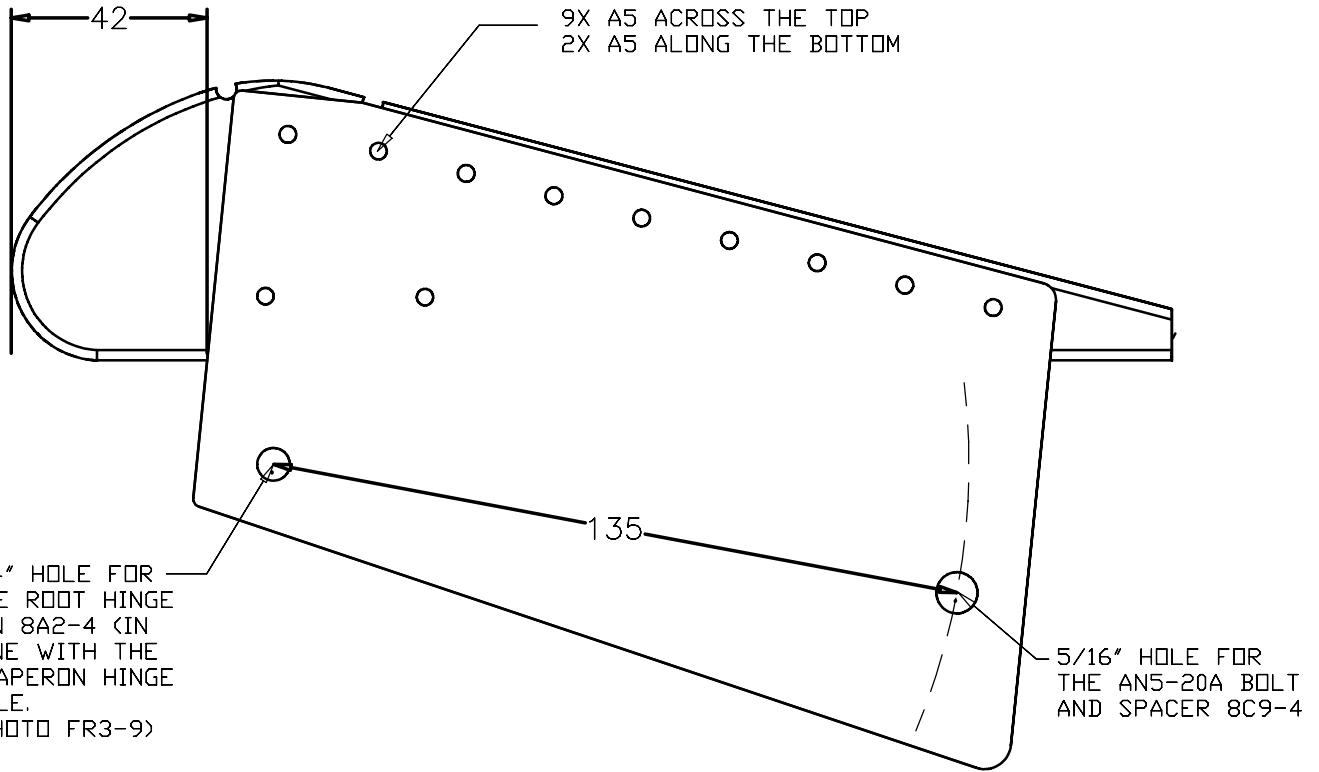


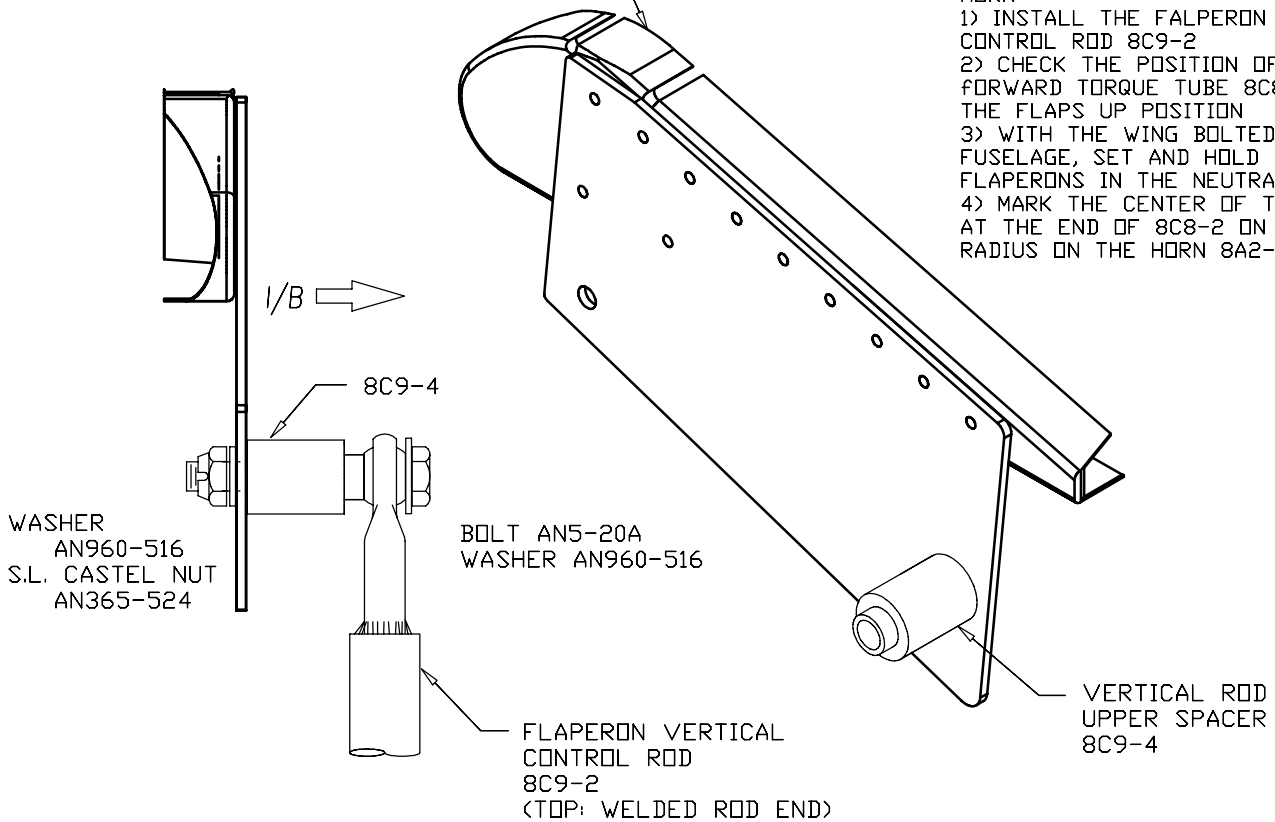
LOCATION OF THE CONTROL HORN ON THE END RIB AND OF THE 5/16" HOLE TO CONNECT THE FLAPERON VERTICAL CONTROL ROD.



FLAPERON END RIB 8A1-1 t=.025"

LOCATION OF THE 5/16" HOLE IN THE HORN

- 1) INSTALL THE FLAPERON VERTICAL CONTROL ROD 8C9-2
- 2) CHECK THE POSITION OF THE FORWARD TORQUE TUBE 8C8-2 IS IN THE FLAPS UP POSITION
- 3) WITH THE WING BOLTED TO THE FUSELAGE, SET AND HOLD THE FLAPERONS IN THE NEUTRAL POSITION.
- 4) MARK THE CENTER OF THE ROD END AT THE END OF 8C8-2 ON THE 135MM RADIUS ON THE HORN 8A2-5



STOL
CH 801

ORIGINAL INFO
NH 09/19/00
REVISION INFO

DESCRIPTION

FLAPERON CONTROL HORN 8A2-5
Flaperon Assembly, Section 3 page 5/17 (Version 3.0 5/99)

PHOTO NO.

FR3-6