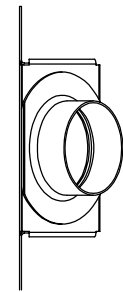
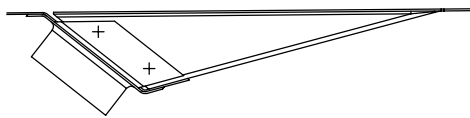
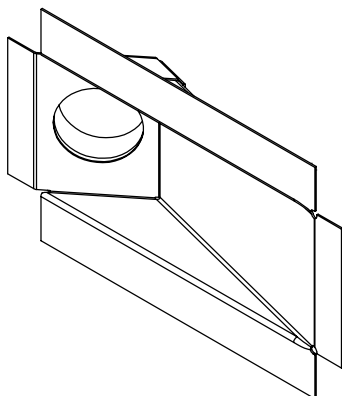


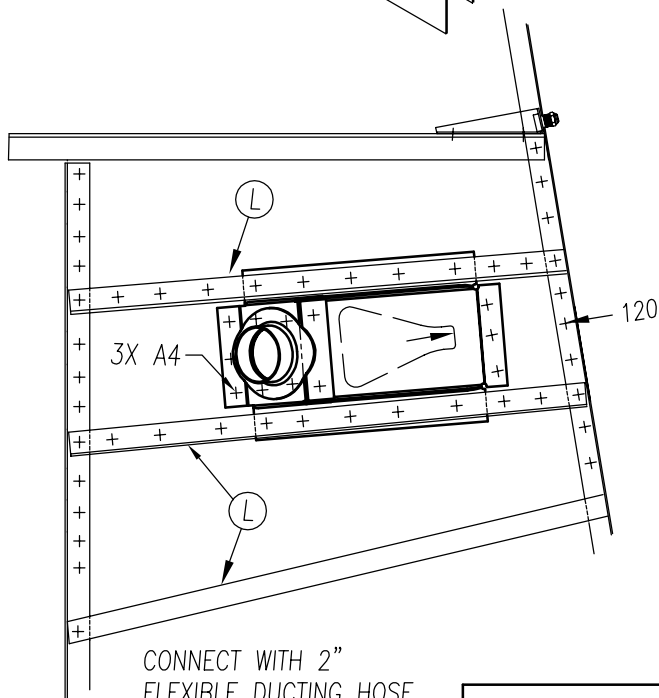
**1 FRONT SCOOP**  
t=.025" (2 REQ'D)

**2 2" DUCTING FLANGE**  
ALUM (2 REQ'D)

**3 REAR SCOOP**  
t=.025" (2 REQ'D)



FLANGES OF THE FRONT SCOOP OVERLAP ON THE OUTSIDE OF THE REAR SCOOP 2x A4 EACH. BEND THE RIVETING FLANGE OF THE 2" FLANGE TO ALIGN THE 2" HOLES



CONNECT WITH 2" FLEXIBLE DUCTING HOSE TO EYEBALL AIR VENTS MOUNTED ON THE INSTRUMENT PANEL.

