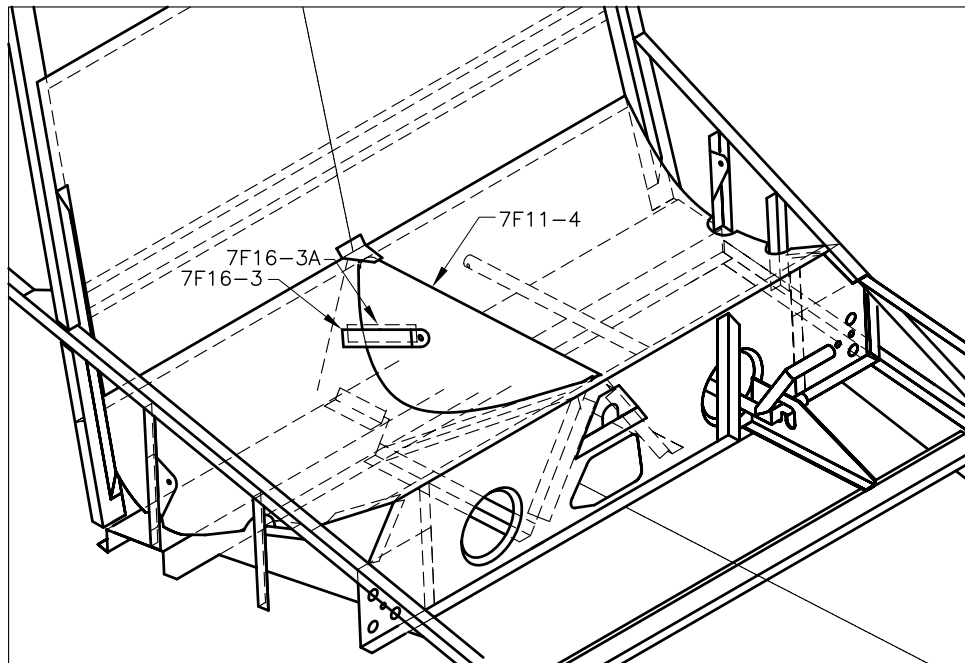
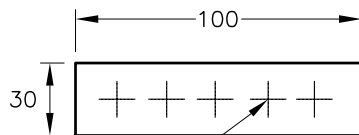


It has come to our attention that under extreme loading, the rivets holding on the CENTRAL SEAT BELT ATTACHMENT, 7F16-3, can pull through the TUNNEL, 7F11-4. It is recommended that a 0.040" doubler be placed inside the TUNNEL, 7F11-4, using the 5 rivets A5 used to attach the CENTRAL SEAT BELT ATTACHMENT, 7F16-3, as shown below. This modification is recommended for all CH701s.

If you have sold your kit or aircraft please forward this letter to the new owner. If you have any questions regarding this update please contact Zenith Aircraft Co.



The Central Seat Belt Doubler 7F16-3A is placed inside the Tunnel 7F11-4 to double the Central Seat Belt Attachment 7F16-3 using 5 rivets A5.



5 RIVETS A5
THROUGH 7F11-4 AND 7F16-3

7F16-3A **CENTRAL SEAT BELT DOUBLER**
t=.040" 6061-T6 (2 REQ'D)